



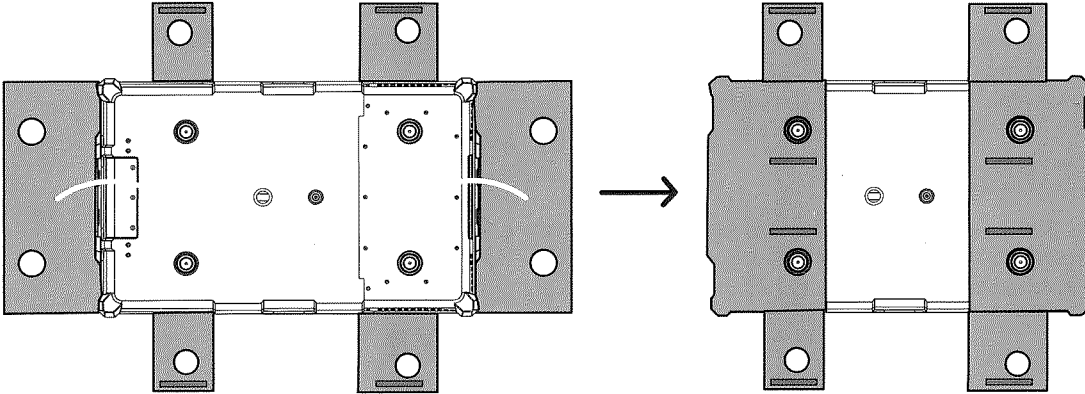
FITTING INSTRUCTIONS

10900051 – Zero Transit Bag 44L
10900052 – Zero Transit Bag 60L

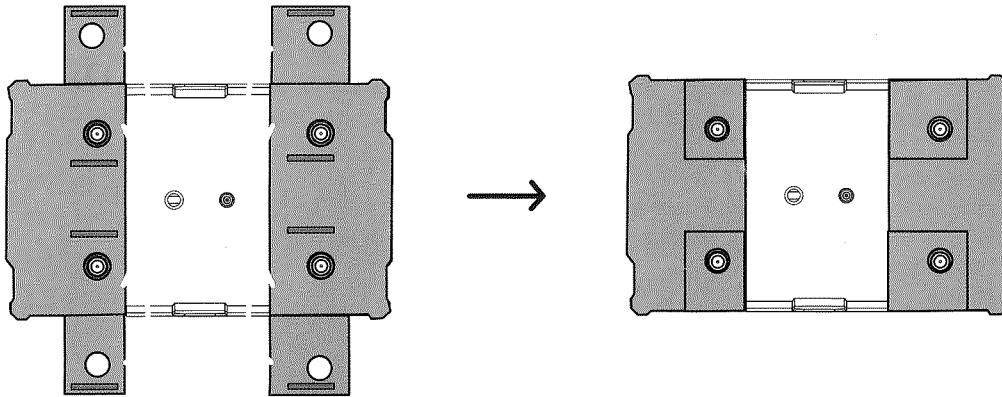
10900053 – Zero Transit Bag 69L
10900054 – Zero Transit Bag 96L

Fitting the Cabinet Cover

1. Place the fridge on a solid level surface
2. Slide bag over the top of the fridge, ensuring the corners of the bag align with the corners of the fridge
3. Fold the large base flaps underneath the fridge, aligning the holes in the flap with the feet



4. Secure the shorter flaps to the Velcro, aligning the holes in the flap with the feet

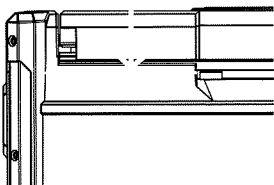


5. Remove the release liner from adhesive backed hook tape at the top, sides and lid of bag and secure the adhesive to the fridge

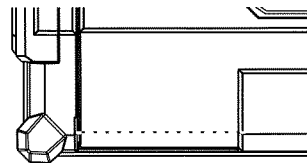
NOTE: For best results when applying the adhesive backed hook tape, refer to the additional guidelines below.

TIPS:

- Apply hook tape to flat surfaces only, not over ridges to avoid getting dust/dirt underneath adhesive
- Align closely to the top of the body but do not cover any of the gaps between the body and lid

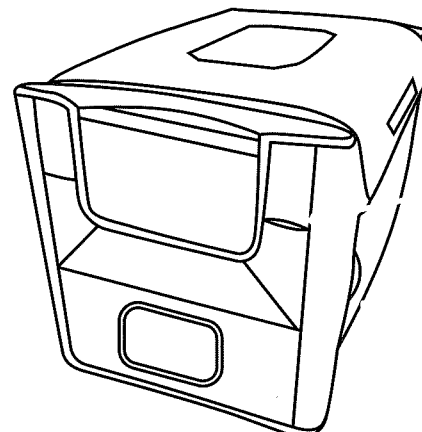
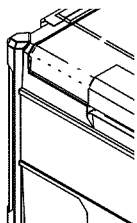


BODY: SIDE VIEW



LID: TOP VIEW

- Align stitching line of lid to the lower corner edge of the lid



Bottle opener pocket

Power cable slot for optional battery pack

FRONT VIEW